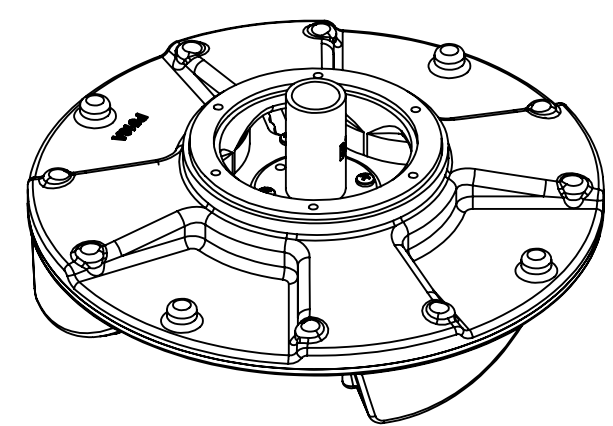
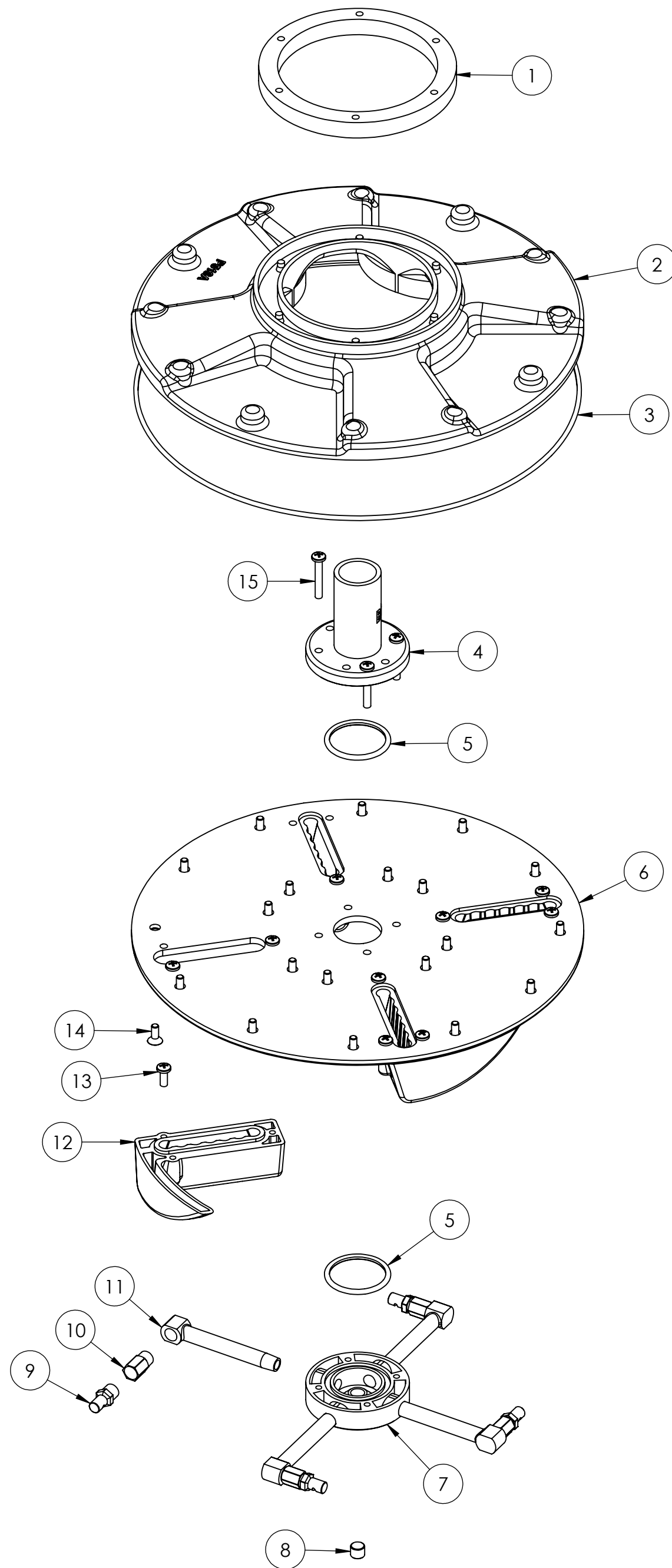


ITEM NO.	PART NO.	DESCRIPTION	QTY.	MSRP
1	G014	seal, felt, T-REX	1	\$10.99 ea
2	P518A	manifold, upper, vac, T-REX JR	1	\$81.99 ea
3	G037A	o-ring, 11.75 Od x 1/8" width	1	\$3.99 ea
4	B161	manifold, upper, solution, T-REX	1	\$124.99 ea
5	G027	o-ring, 1.75" o.d. x 1/8" width	2	\$0.99 ea
6	H090A	manifold, lower vac, 12" T-REX	1	\$89.99 ea
7	B157A	manifold, 4 port, lower solution, T-REX	1	\$71.99 ea
8	B176	plug, 1/8" npt, countersunk hex	1	\$2.99 ea
9	B183	flood jet, TRex	4	\$15.99 ea
10	B217	check valve, 1/8" mpt x 1/8" fpt, 5 PSI	4	\$8.99 ea
11	H036	spray bar, T-Rex	4	\$19.99 ea
12	H248C	vac glide, 12" T-REX	4	\$69.99 ea
13	H230	screw, 10-32 x 1/2" phil pan head, s/s	12	\$0.99 ea
14	H018	screw, 10-32 x 1/2", FHSCS, s/s	20	\$0.99 ea
15	H222	screw, 10-32 x 1-1/4" phil pan head, s/s	4	\$0.99 ea

REVISIONS			
REV.	DESCRIPTION	DATE	APPROVED
OD	ORIGINAL DRAFT	12/24/2014	JFL



NAME	DATE	MYTEE PRODUCTS, INC. 858-679-1191	
DRAWN M.LaBarbera	12/2014	TITLE: assembly, cleaning head, TRex JR	
CHECKED		SIZE DWG. NO.	REV
COMMENTS:		C A102A	OD
PROPRIETARY AND CONFIDENTIAL THE INFORMATION CONTAINED IN THIS DRAWING IS THE SOLE PROPERTY OF MYTEE PRODUCTS, INC. ANY REPRODUCTION IN PART OR AS A WHOLE WITHOUT THE WRITTEN PERMISSION OF MYTEE PRODUCTS, INC. IS PROHIBITED.		SCALE: 1:8	DO NOT SCALE DRAWING SHEET 1 OF 1